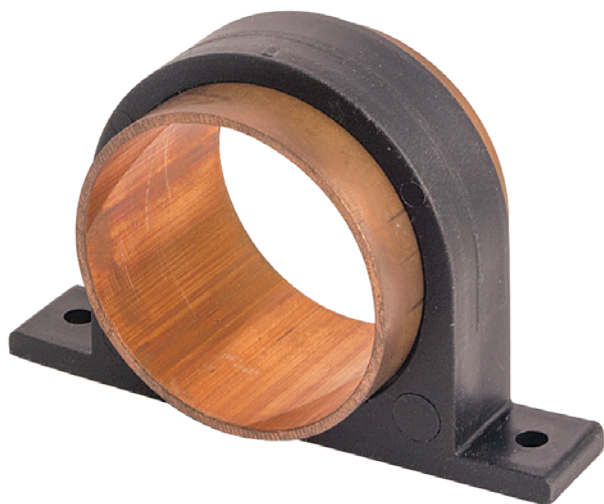




CUSH-A-GLIDE™

THE SIMPLICITY OF THE CUSH-A-GLIDE!

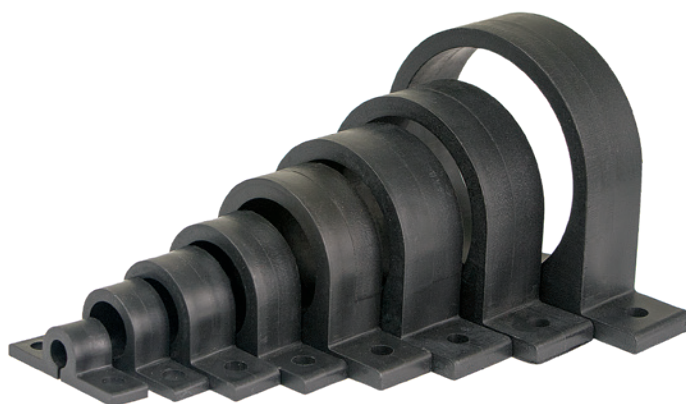


Easily Installed in Seconds

- Allows for Expansion & Contraction of Copper Tube & Pipe
- Excellent Alternative to Stainless or Galvanized Clamps
- Fits Tightly and Securely Against Mounting Surfaces
- Temperature range:
-50°F to +275°F (-45°C to +135°C)

Made in USA

- Made from Trusted High Quality TPE Material
- Prevents Galvanic Corrosion
- Suitable for Indoor or Outdoor
- Size range of 1/4" up to 2-1/8" O.D.
- One Piece Molded Split Ring Design



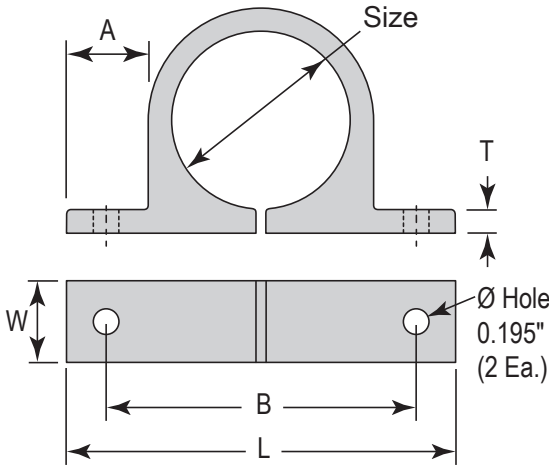
ZSIINC.COM | 800-323-7053

ZSi & Wesanco are part of the Ideal Tridon Group. Learn more at idealtridongroup.com



The Cush-A-Glide is designed for fast installation of copper tube or pipe, and can be easily installed in seconds with fasteners of your choice. Just spread the clamp apart placing it over the top of a tube or pipe and fasten one side. Push in the opposite side to the desired tightness, allowing for expansion and contraction, then fasten the other side.

It's just that simple!



Part No.	Pipe, Hose or Tube Size	Size	Dimensions – inches				
			A	B	L	T Thickness	W
CAGB04	1/4"	0.245" (6mm)	0.500" (13mm)	1.000" (25mm)	1.465" (37mm)	0.110" (3mm)	0.375" (10mm)
CAGB06	3/8"	0.370" (9mm)		1.125" (29mm)	1.590" (40mm)		
CAGB08	1/2"	0.495" (13mm)		1.250" (32mm)	1.715" (44mm)		
CAGB10	5/8"	0.620" (16mm)	0.563" (14mm)	1.500" (38mm)	2.045" (52mm)	0.150" (4mm)	0.500" (13mm)
CAGB14	7/8"	0.870" (22mm)		1.750" (44mm)	2.295" (58mm)		
CAGB18	1 1/8"	1.120" (28mm)	0.625" (16mm)	2.125" (54mm)	2.730" (69mm)	0.180" (5mm)	0.625" (16mm)
CAGB20	1 1/4"	1.250" (32mm)		2.250" (57mm)	2.855" (73mm)		
CAGB22	1 3/8"	1.370" (35mm)		2.375" (60mm)	2.980" (76mm)		
CAGB26	1 5/8"	1.620" (41mm)		2.625" (67mm)	3.230" (82mm)		
CAGB34	2 1/8"	2.120" (54mm)		3.125" (79mm)	3.730" (95mm)		0.750" (19mm)

Step 1: Spread open Cush-a-Glide, and place it over tube, pipe, or hose

Step 2: Secure one side of Cush-a-Glide with a fastener of your choice

Step 3: Simply glide tube or pipe through the Cush-a-Glide to desired position

Step 4: Fasten second side of the Cush-a-Glide

