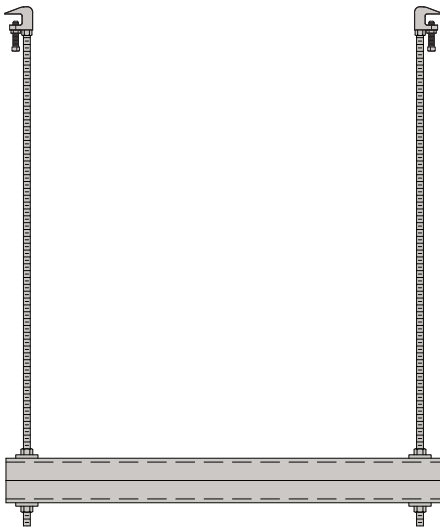
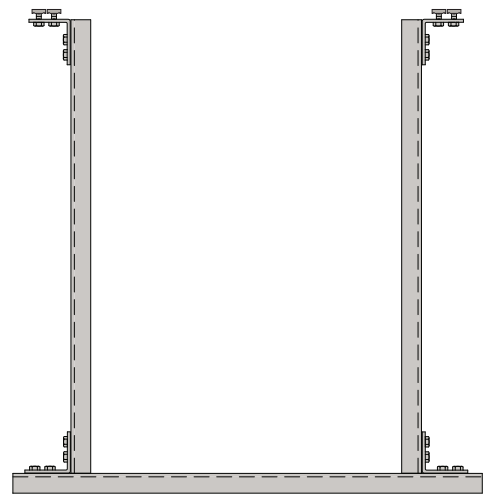


## Manufactured Conduit, Tray, Box, Strut and Rod Support Products

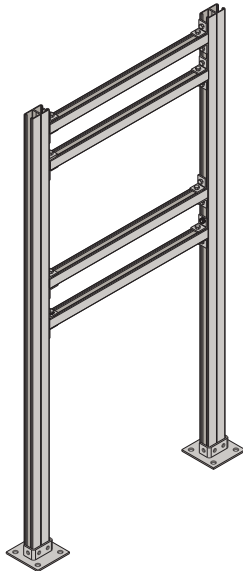
Manufactured Threaded Rod Trapeze Supports



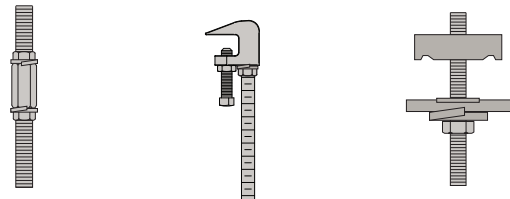
Manufactured Channel Trapeze Supports



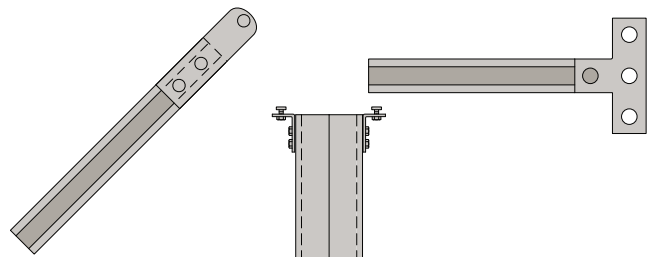
Manufactured Support Racks



Manufactured Rod Supports



Manufactured Varieties of Miscellaneous Strut Supports



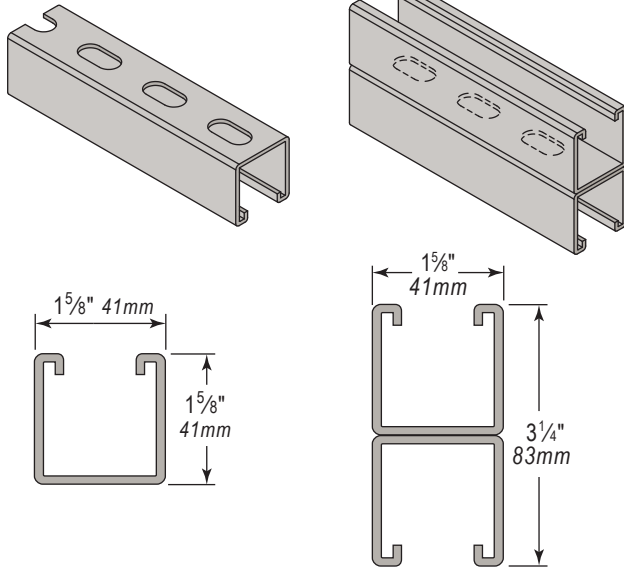
Call ZSi-Foster at (800) 323-7053 or order now at [zsi-foster.com](http://zsi-foster.com)

**ZSi-Foster**

Auburn Hills, MI | Boyertown, PA | La Mirada, CA | Murfreesboro, TN  
Ocala, FL | Smyrna, TN | Springfield, MO | Totowa, NJ | Wixom, MI

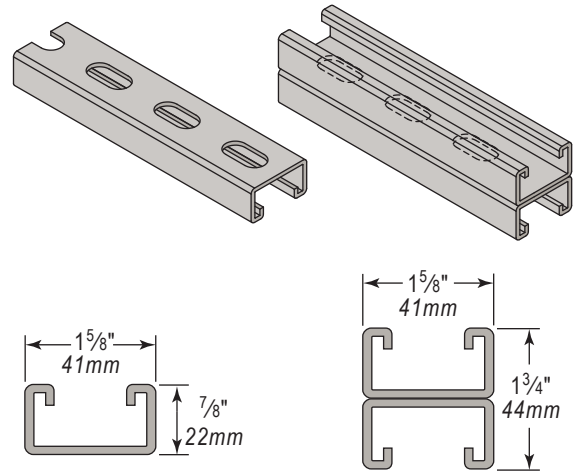
## W200SS - W201SS

1-5/8" x 1-5/8" Channel



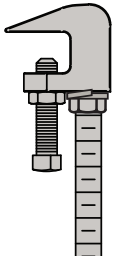
## W900SS - W901SS

1-5/8" x 7/8" Channel



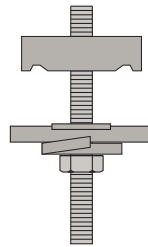
### Beam Clamp

Beam Clamp (BC80 shown), Washer, Lock Washer, Hex Nut



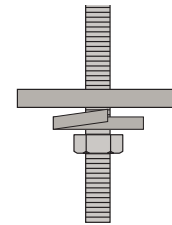
### Strut Nut

Strut Nut, Square Washer w/ Guide, Lock Washer, Hex Nut



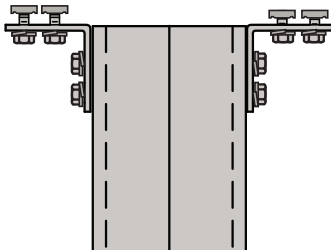
### Hex Nut

Washer, Lock Washer, Hex Nut



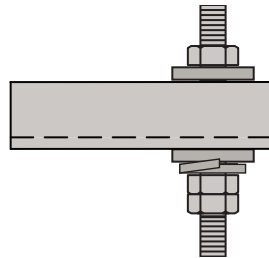
### Bolted Bracket

4 Hole 90° Brackets, 1-1/2" Hex Bolts, Lock Washers, Strut Nuts



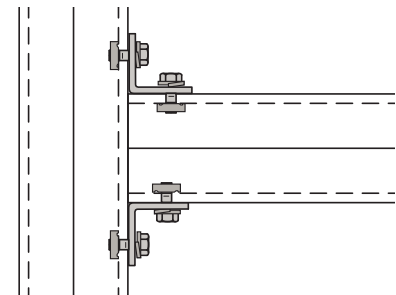
### Strut to Rod

Hex Nut, Square Washer, Strut, Square Washer, Lock Washer, Hex Nut



### Strut to Strut

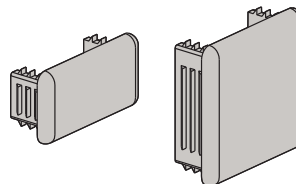
Hex Nut, Lock Washer, 90° Angle Fitting, Hex Bolts, Strut, Strut Nut



### Threaded Rod End Caps



### Strut End Caps



### Rod Coupler

Hex Nut, Lock Washer, Rod Coupler, Lock Washer, Hex Nut



All connected hardware torqued to specification. Top connecting hardware snug for transportation.

# Manufactured to Order Trapeze

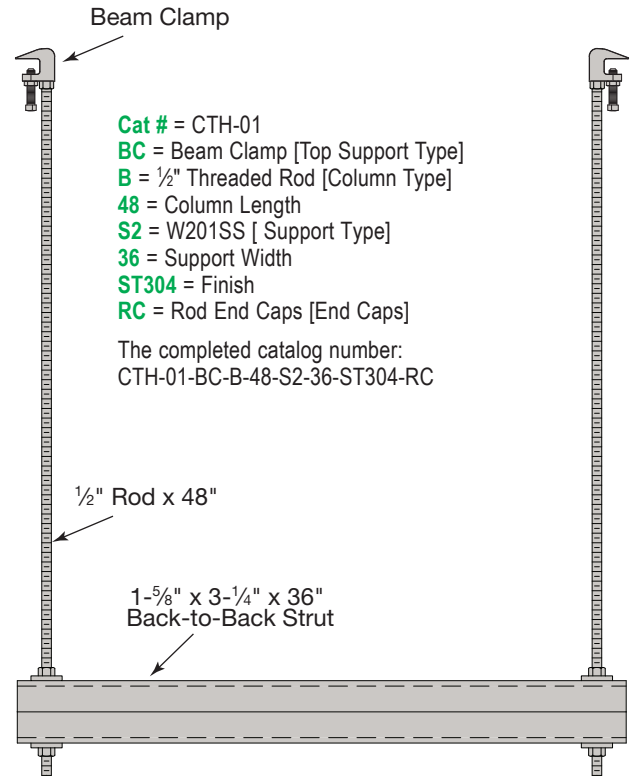
## Single Manufactured Support



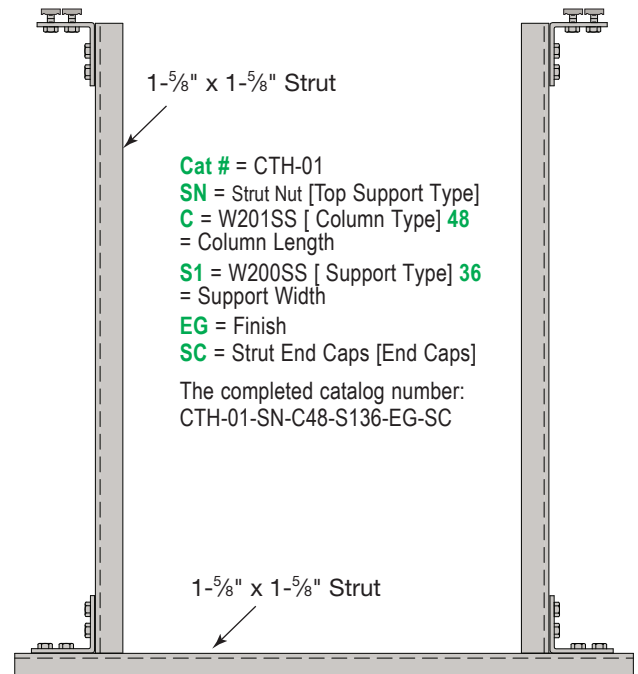
Options	Part Number Code	Elements
Top Support Type	X	None
	HN	Hex Nut
	RC	Rod Coupler
	BC	Beam Clamp (Specify Clamp)
	SN	Strut Nut
	BB	Bolted Bracket
Column Type	A	3/8"-16 Threaded Rod
	B	1/2"-13 Threaded Rod
	C	W200SS Single 1-5/8" Strut
	D	W201SS Back-to-Back 1-5/8" Strut
Column Length		(inches)
Support Type	S1	W200SS Single 1-5/8" x 1-5/8" Strut
	S2	W201SS Back-to-Back 1-5/8" x 3-1/4" Strut
	S3	W900SS Single 1-5/8" x 7/8" Strut
	S4	W901SS Back-to-Back 1-5/8" x 1-3/4" Strut
Support Width		(inches)
Finish	EG	Electroplated
	ST304	Stainless Steel Type 304
	ST306	Stainless Steel Type 316
End Caps	RC	Rod End Cap
	SC	Strut End Caps

\* Position from Bottom

### Example 1:



### Example 2:



Supply Customer Drawing with Request

All connected hardware torqued to specification. Top connecting hardware snug for transportation.



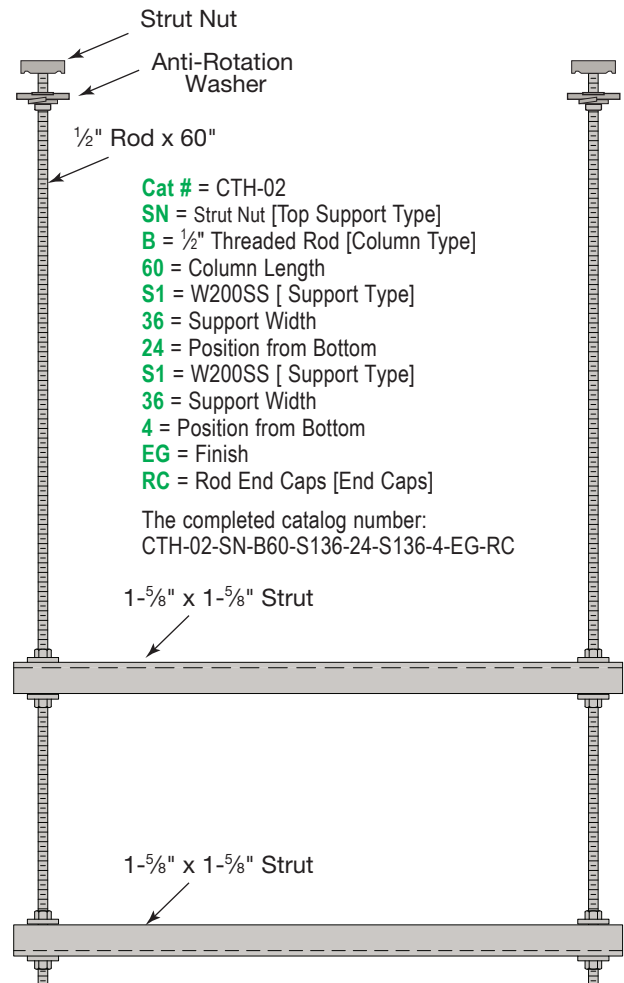
# Manufactured to Order Trapeze

## Dual Manufactured Supports

Options	Part Number Code	Elements
Top Support Type	X	None
	HN	Hex Nut
	RC	Rod Coupler
	BC	Beam Clamp (Specify Clamp)
	SN	Strut Nut
	BB	Bolted Bracket
Column Type	A	$\frac{3}{8}$ "-16 Threaded Rod
	B	$\frac{1}{2}$ "-13 Threaded Rod
	C	W200SS Single $1\text{-}\frac{5}{8}$ " Strut
	D	W201SS Back-to-Back $1\text{-}\frac{5}{8}$ " Strut
Column Length		(inches)
Support Type Level One	S1	W200SS Single $1\text{-}\frac{5}{8}$ " x $1\text{-}\frac{5}{8}$ " Strut
	S2	W201SS Back-to-Back $1\text{-}\frac{5}{8}$ " x $3\text{-}\frac{1}{4}$ " Strut
	S3	W900SS Single $1\text{-}\frac{5}{8}$ " x $\frac{7}{8}$ " Strut
	S4	W901SS Back-to-Back $1\text{-}\frac{5}{8}$ " x $1\text{-}\frac{3}{4}$ " Strut
Support Width		(inches)
Level One Position *		(inches)
Support Type Level Two	S1	W200SS Single $1\text{-}\frac{5}{8}$ " x $1\text{-}\frac{5}{8}$ " Strut
	S2	W201SS Back-to-Back $1\text{-}\frac{5}{8}$ " x $3\text{-}\frac{1}{4}$ " Strut
	S3	W900SS Single $1\text{-}\frac{5}{8}$ " x $\frac{7}{8}$ " Strut
	S4	W901SS Back-to-Back $1\text{-}\frac{5}{8}$ " x $1\text{-}\frac{3}{4}$ " Strut
Level Two Position *		(inches)
Finish	EG	Electroplated
	ST304	Stainless Steel Type 304
	ST306	Stainless Steel Type 316
End Caps	RC	Rod End Cap
	SC	Strut End Caps

\* Position from Bottom

### Example:



Supply Customer Drawing with Request

Trapeze to have all hardware, material, caps per customer requirements

All connected hardware torqued to specification. Top connecting hardware snug for transportation.

# Manufactured to Order Trapeze

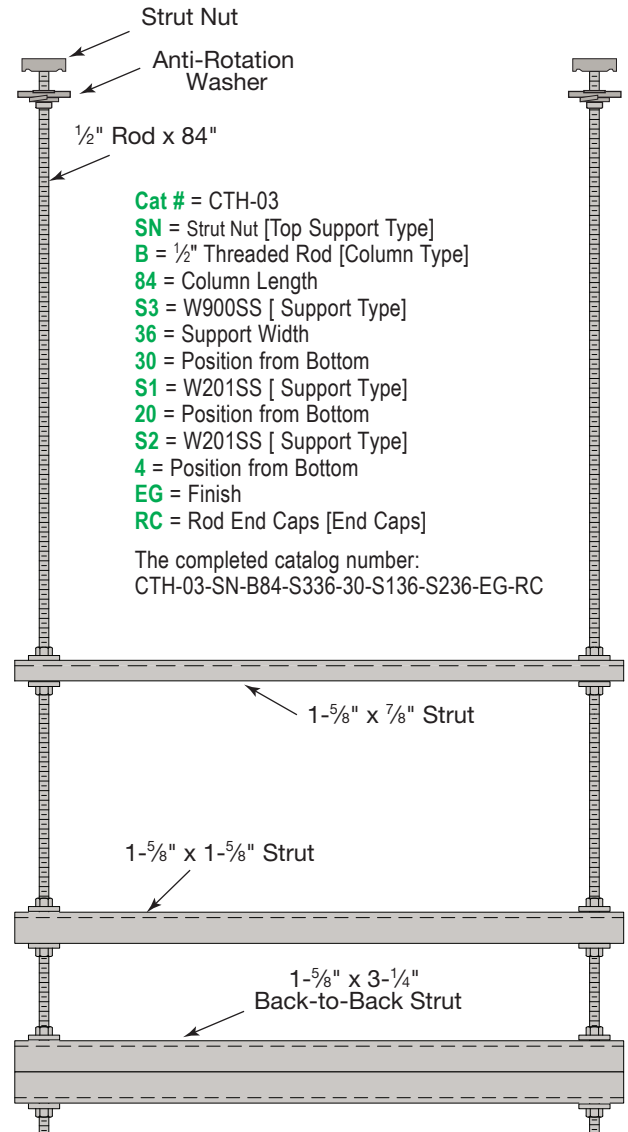
## Three Manufactured Supports



Options	Part Number Code	Elements
Top Support Type	X	None
	HN	Hex Nut
	RC	Rod Coupler
	BC	Beam Clamp (Specify Clamp)
	SN	Strut Nut
	BB	Bolted Bracket
Column Type	A	$\frac{3}{8}$ "-16 Threaded Rod
	B	$\frac{1}{2}$ "-13 Threaded Rod
	C	W200SS Single 1- $\frac{5}{8}$ " Strut
	D	W201SS Back-to-Back 1- $\frac{5}{8}$ " Strut
Column Length		(inches)
Support Type Level One	S1	W200SS Single 1- $\frac{5}{8}$ " x 1- $\frac{5}{8}$ " Strut
	S2	W201SS Back-to-Back 1- $\frac{5}{8}$ " x 3- $\frac{1}{4}$ " Strut
	S3	W900SS Single 1- $\frac{5}{8}$ " x $\frac{7}{8}$ " Strut
	S4	W901SS Back-to-Back 1- $\frac{5}{8}$ " x 1- $\frac{3}{4}$ " Strut
Support Width		(inches)
Level One Position *		(inches)
Support Type Level Two	S1	W200SS Single 1- $\frac{5}{8}$ " x 1- $\frac{5}{8}$ " Strut
	S2	W201SS Back-to-Back 1- $\frac{5}{8}$ " x 3- $\frac{1}{4}$ " Strut
	S3	W900SS Single 1- $\frac{5}{8}$ " x $\frac{7}{8}$ " Strut
	S4	W901SS Back-to-Back 1- $\frac{5}{8}$ " x 1- $\frac{3}{4}$ " Strut
Level Two Position *		(inches)
Support Type Level Three	S1	W200SS Single 1- $\frac{5}{8}$ " x 1- $\frac{5}{8}$ " Strut
	S2	W201SS Back-to-Back 1- $\frac{5}{8}$ " x 3- $\frac{1}{4}$ " Strut
	S3	W900SS Single 1- $\frac{5}{8}$ " x $\frac{7}{8}$ " Strut
	S4	W901SS Back-to-Back 1- $\frac{5}{8}$ " x 1- $\frac{3}{4}$ " Strut
Level Three Position *		(inches)
Finish	EG	Electroplated
	ST304	Stainless Steel Type 304
	ST306	Stainless Steel Type 316
End Caps	RC	Rod End Cap
	SC	Strut End Caps

\* Position from Bottom

### Example:



Supply Customer Drawing with Request

All connected hardware torqued to specification. Top connecting hardware snug for transportation.

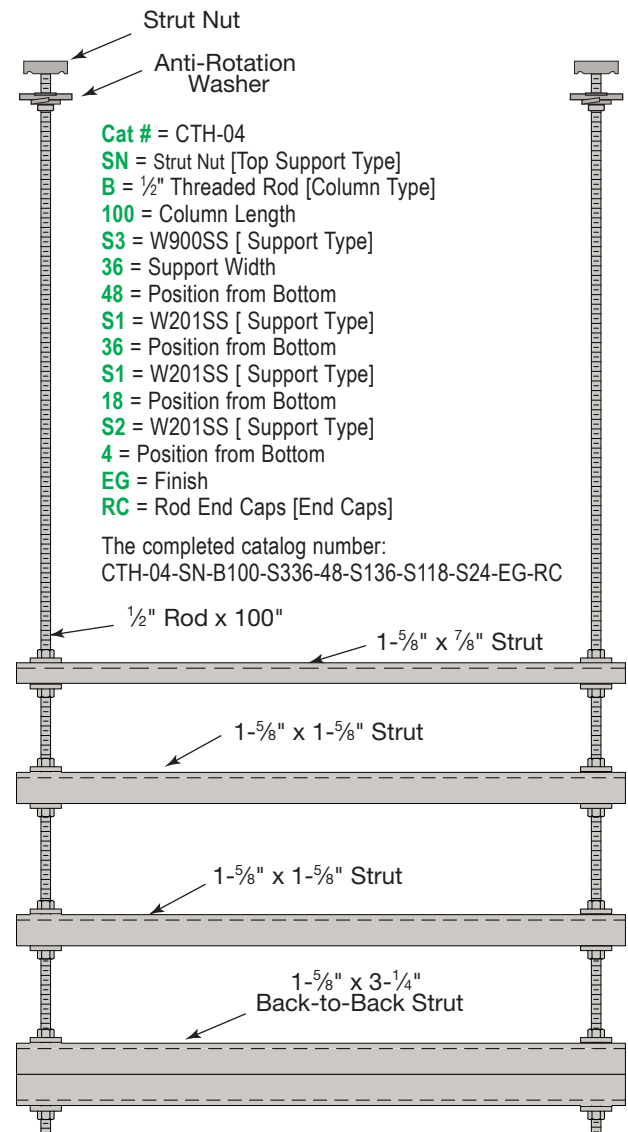


# Manufactured to Order Trapeze Four Manufactured Supports

Options	Part Number Code	Elements
Top Support Type	X	None
	HN	Hex Nut
	RC	Rod Coupler
	BC	Beam Clamp (Specify Clamp)
	SN	Strut Nut
	BB	Bolted Bracket
Column Type	A	$\frac{3}{8}$ "-16 Threaded Rod
	B	$\frac{1}{2}$ "-13 Threaded Rod
	C	W200SS Single 1- $\frac{5}{8}$ " Strut
	D	W201SS Back-to-Back 1- $\frac{5}{8}$ " Strut
Column Length		(inches)
Support Type Level One	S1	W200SS Single 1- $\frac{5}{8}$ " x 1- $\frac{5}{8}$ " Strut
	S2	W201SS Back-to-Back 1- $\frac{5}{8}$ " x 3- $\frac{1}{4}$ " Strut
	S3	W900SS Single 1- $\frac{5}{8}$ " x $\frac{7}{8}$ " Strut
	S4	W901SS Back-to-Back 1- $\frac{5}{8}$ " x 1- $\frac{3}{4}$ " Strut
Support Width		(inches)
Level One Position *		(inches)
Support Type Level Two	S1	W200SS Single 1- $\frac{5}{8}$ " x 1- $\frac{5}{8}$ " Strut
	S2	W201SS Back-to-Back 1- $\frac{5}{8}$ " x 3- $\frac{1}{4}$ " Strut
	S3	W900SS Single 1- $\frac{5}{8}$ " x $\frac{7}{8}$ " Strut
	S4	W901SS Back-to-Back 1- $\frac{5}{8}$ " x 1- $\frac{3}{4}$ " Strut
Level Two Position *		(inches)
Support Type Level Three	S1	W200SS Single 1- $\frac{5}{8}$ " x 1- $\frac{5}{8}$ " Strut
	S2	W201SS Back-to-Back 1- $\frac{5}{8}$ " x 3- $\frac{1}{4}$ " Strut
	S3	W900SS Single 1- $\frac{5}{8}$ " x $\frac{7}{8}$ " Strut
	S4	W901SS Back-to-Back 1- $\frac{5}{8}$ " x 1- $\frac{3}{4}$ " Strut
Level Three Position *		(inches)
Support Type Level Four	S1	W200SS Single 1- $\frac{5}{8}$ " x 1- $\frac{5}{8}$ " Strut
	S2	W201SS Back-to-Back 1- $\frac{5}{8}$ " x 3- $\frac{1}{4}$ " Strut
	S3	W900SS Single 1- $\frac{5}{8}$ " x $\frac{7}{8}$ " Strut
	S4	W901SS Back-to-Back 1- $\frac{5}{8}$ " x 1- $\frac{3}{4}$ " Strut
Level Four Position *		(inches)
Finish	EG	Electroplated
	ST304	Stainless Steel Type 304
	ST306	Stainless Steel Type 316
End Caps	RC	Rod End Cap
	SC	Strut End Caps

\* Position from Bottom

## Example:



Trapeze to have all hardware, material, caps per customer requirements

Supply Customer Drawing with Request

All connected hardware torqued to specification. Top connecting hardware snug for transportation.

# Manufactured to Order Support Rack

## 2 Post Manufactured Rack

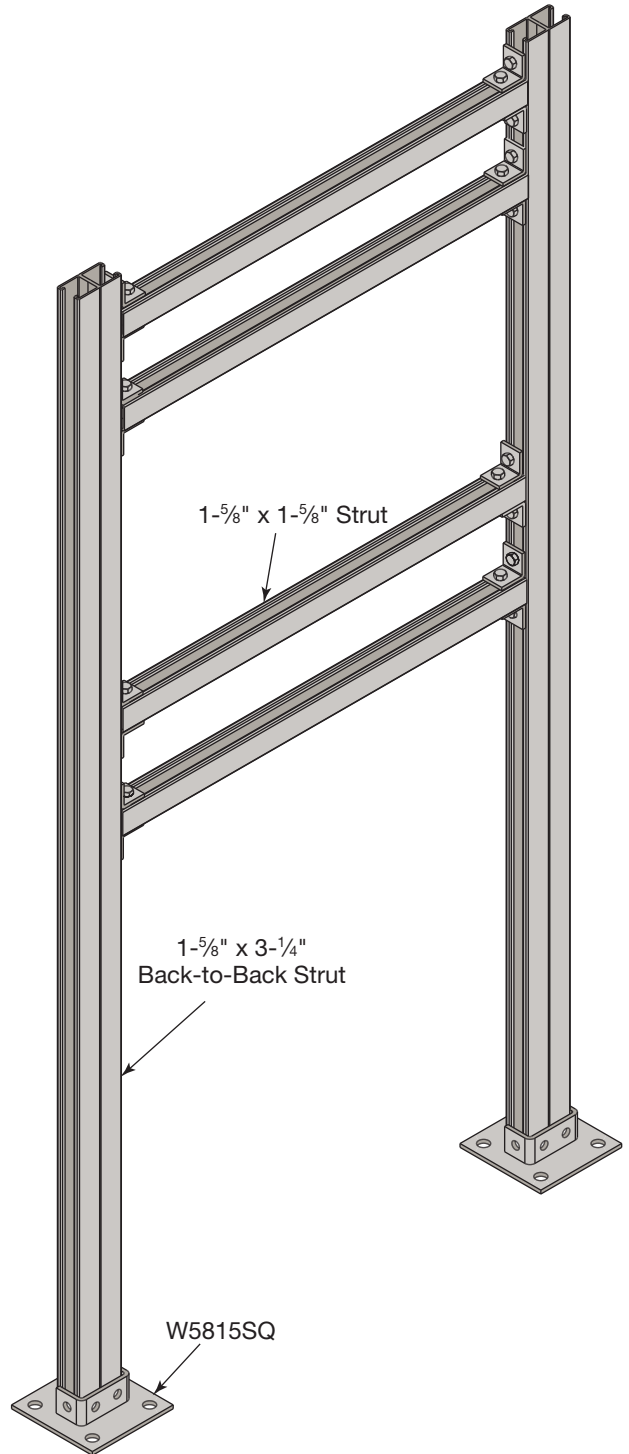


Options	Part Number Code	Elements
Column Type	A	W200SS Single 1-5/8" x 1-5/8" Strut
	B	W201SS Back-to-Back 1-5/8" x 3-1/4" Strut
Column Length		(inches)
Cross Bar Type	S1	W200SS Single 1-5/8" x 1-5/8" Strut
	S2	W201SS Back-to-Back 1-5/8" x 3-1/4" Strut
	S3	W900SS Single 1-5/8" x 7/8" Strut
	S4	W901SS Back-to-Back 1-5/8" x 1-3/4" Strut
Support Width		(inches)
Level 1 Position *		(inches)
Level 2 Position *		(inches)
Level 3 Position *		(inches)
Level 4 Position *		(inches)
Level 5 Position *		(inches)
Level 6 Position *		(inches)
Finish	EG	Electroplated
	ST304	Stainless Steel Type 304
	ST306	Stainless Steel Type 316
End Caps	SC	Strut End Caps

\* Position from Bottom

**Cat #** = 2PSSR  
**SN** = Strut Nut [Top Support Type]  
**B** = 1/2" Threaded Rod [Column Type]  
**100** = Column Length  
**S3** = W900SS [Support Type]  
**36** = Support Width  
**48** = Position from Bottom  
**S1** = W201SS [Support Type]  
**36** = Position from Bottom  
**S1** = W201SS [Support Type]  
**18** = Position from Bottom  
**S2** = W201SS [Support Type]  
**4** = Position from Bottom  
**EG** = Finish  
**SC** = Strut End Caps [End Caps]

The completed catalog number:  
2PSSR-A64-S136-48-S136-S118-S24-EG-SC



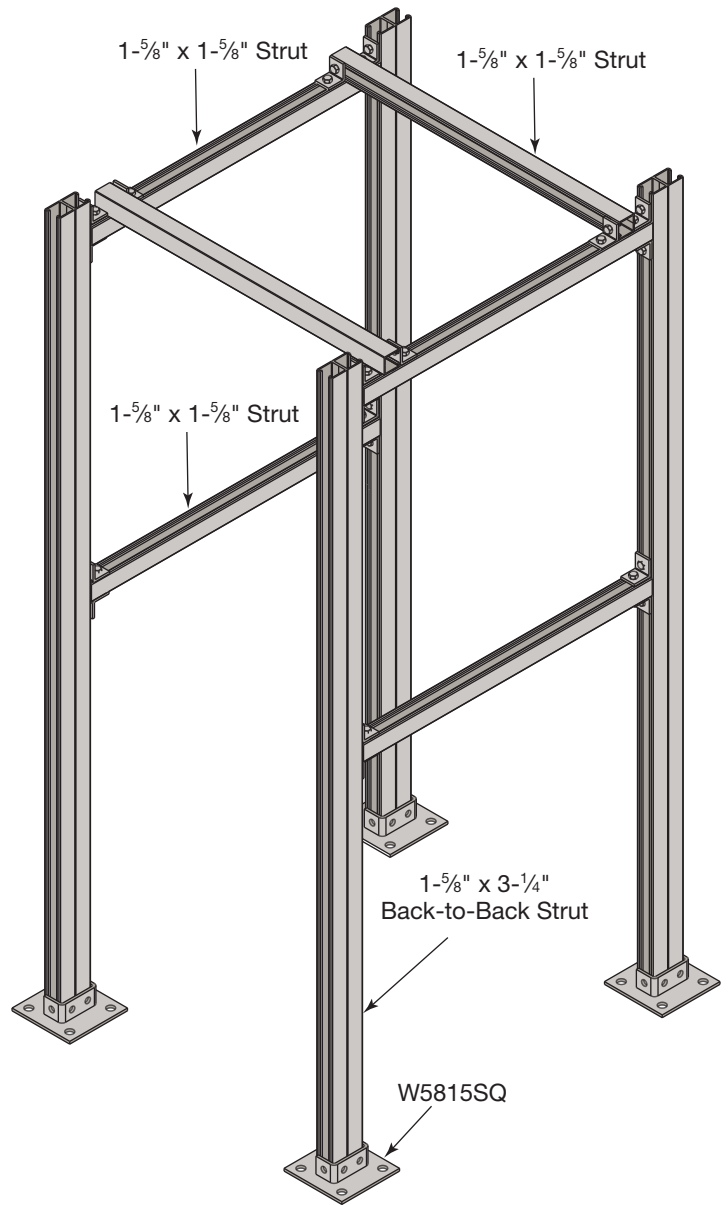


# Manufactured to Order Support Rack

## 4 Post Manufactured Rack

Options	Part Number Code	Elements
Column Type	A	W200SS Single 1-5/8" x 1-5/8" Strut
	B	W201SS Back-to-Back 1-5/8" x 3-1/4" Strut
Column Length		(inches)
Support Width		(inches)
Support Depth		(inches)
Cross Bar Type	S1	W200SS Single 1-5/8" x 1-5/8" Strut
	S2	W201SS Back-to-Back 1-5/8" x 3-1/4" Strut
	S3	W900SS Single 1-5/8" x 7/8" Strut
	S4	W901SS Back-to-Back 1-5/8" x 1-3/4" Strut
Level 1 Position *		(inches)
Level 2 Position *		(inches)
Level 3 Position *		(inches)
Level 4 Position *		(inches)
Level 5 Position *		(inches)
Level 6 Position *		(inches)
Finish	EG	Electroplated
	ST304	Stainless Steel Type 304
	ST306	Stainless Steel Type 316
End Caps	SC	Strut End Caps

\* Position from Bottom



**Cat #** = 4PSSR

**SN** = Strut Nut [Top Support Type]

**B** = 1/2" Threaded Rod [Column Type]

**100** = Column Length

**S3** = W900SS [Support Type]

**36** = Support Width

**48** = Position from Bottom

**S1** = W201SS [Support Type]

**36** = Position from Bottom

**S1** = W201SS [Support Type]

**18** = Position from Bottom

**S2** = W201SS [Support Type]

**4** = Position from Bottom

**EG** = Finish

**SC** = Strut End Caps [End Caps]

The completed catalog number:

4PSSR-A64-S136-48-S136-S118-S24-EG-SC



# Strut and Rod Supports

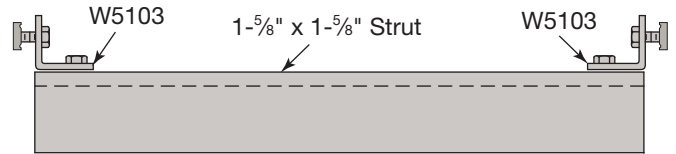
## Manufactured to Customer Specifications



### Cut Strut and Hardware Attachments

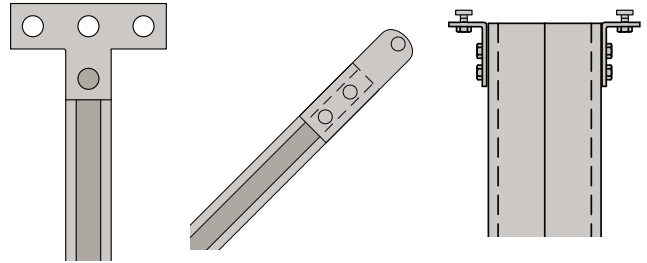
Options	Part Number Code	Elements
Strut Type	S1	W200SS Single 1-5/8" x 1-5/8" Strut
	S2	W201SS Back-to-Back 1-5/8" x 3-1/4" Strut
	S3	W900SS Single 1-5/8" x 7/8" Strut
	S4	W901SS Back-to-Back 1-5/8" x 1-3/4" Strut
Strut Length		(inches)
Hardware Attached	W5009	Splice Plate
	W5012	Swivel Bracket
	W5021	3 Hole 90° Plate
	W5025	4 Hole 90° Plate
	W5022	Tee Plate
	W5023	Cross Plate
	W5103	2 Hole End Connector
	W5113	3 Hole End Connector
	W5125	4 Hole Corner Connector
	W5510	3 Hole Right Hand Corner Angle
	W5511	3 Hole Left Hand Corner Angle
Finish	EG	Electroplated
	ST304	Stainless Steel Type 304
	ST306	Stainless Steel Type 316

Cat # = CS01  
 S1 = W200SS [ Strut Type] 36  
 = Strut Length  
 W5103 = 2 Hole End Connector  
 W5103 = 2 Hole End Connector  
 EG = Finish  
 The completed catalog number:  
 CS01-S1/37-W5103-W5103-EG



4 Sets of Hardware,  
 Each fitting hole contains 1-1/2" Hex Bolt, Lock Washer, & Strut Nut  
 Hardware Installed, fittings on strut torqued to factory recommendations

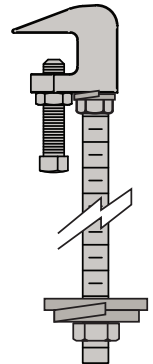
Other Examples:



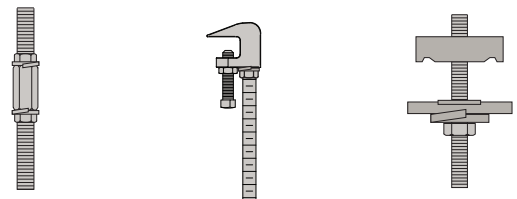
### Cut Threaded Rod and Hardware Attached

Options	Part Number Code	Elements
Rod Type	A	3/8"-16 Threaded Rod
	B	1/2"-13 Threaded Rod
Rod Length		(inches)
Hardware Installed on Top	HN	Hex Nut, Lock Washer, Flat Washer
	RC	Rod Coupler, Lock Washer, Hex Nut
	BC	Beam Clamp (Specify Clamp), Flat Washer, Hex Nut
	SN	Strut Nut, Square Washer, Lock Washer, Hex Nut
Hardware Installed on Bottom	HN	Hex Nut, Lock Washer, Flat Washer
Distance from Bottom		(inches)
Finish	EG	Electroplated
	ST304	Stainless Steel Type 304
	ST306	Stainless Steel Type 316
End Caps	RC	Rod End Cap (optional)

Cat # = CR01  
 B = W200SS [ Strut Type]  
 36 = Rod Length  
 BC = Beam Clamp (BC80 shown) , Flat Washer, Hex Nut  
 HN = Hex Nut, Lock Washer, Flat Washer  
 1 = Distance from Bottom  
 The completed catalog number:  
 CR01-B/36-BC-HN/1

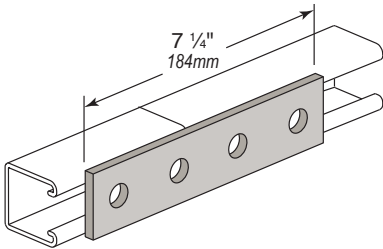


Other Examples:



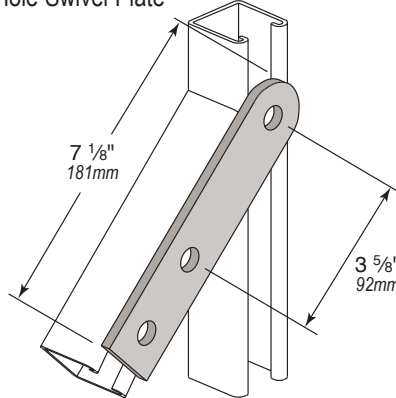
## W5009

4 Hole Splice Plate



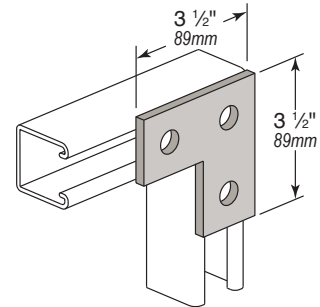
## W5012

3 Hole Swivel Plate



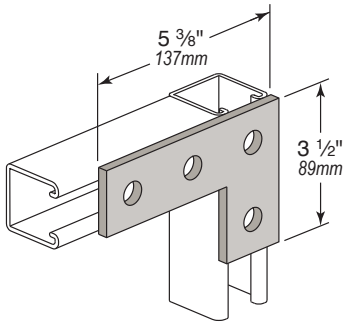
## W5021

3 Hole 90° Plate



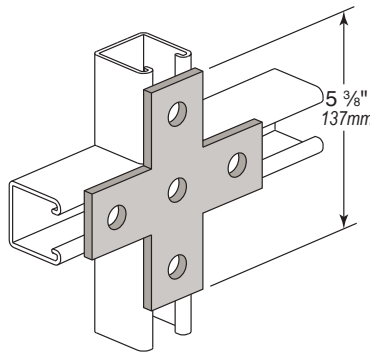
## W5025

4 Hole 90° Plate



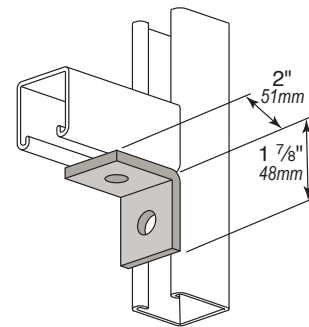
## W5023

4 Hole Cross



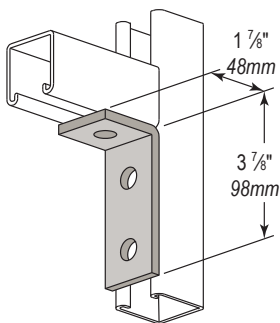
## W5103

2 Hole End Connector



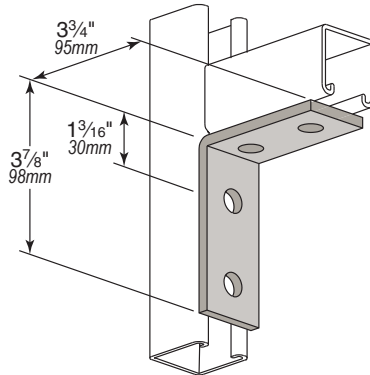
## W5113

3 Hole End Connector

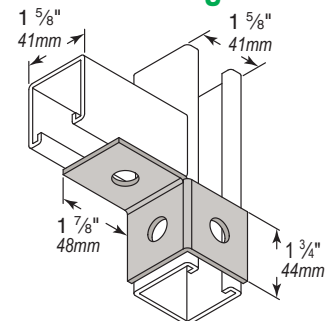


## W5125

4 Hole Corner Connector



## 3 Hole Corner Angle



Part No.	Elements
W5510	3 Hole Right Corner Angle
W5511	3 Hole Left Corner Angle (Shown)

Call ZSi-Foster at (800) 323-7053 or order now at [zsi-foster.com](http://zsi-foster.com)



## ZSi-Foster

Auburn Hills, MI | Boyertown, PA | La Mirada, CA | Murfreesboro, TN  
Ocala, FL | Smyrna, TN | Springfield, MO | Totowa, NJ | Wixom, MI