



# Long Lasting ISO B Plug and Socket for Water-Based Hydraulic Applications



## CARPET CLEANING – CAR WASH – PRESSURE WASH



- Use on Truck Mounted or Portable Units
- Long Lasting Valve Assembly
- Competitive, Value-Based Pricing
- Stainless Valves and EPDM Seals Standard
- Experienced Customer Support Team



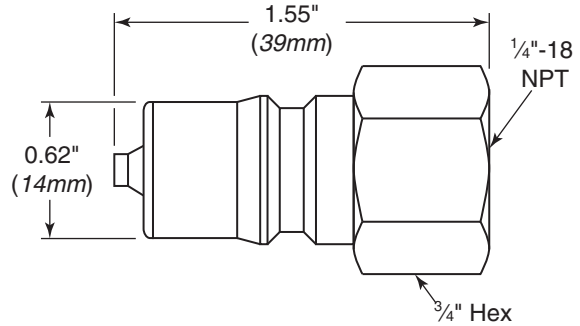
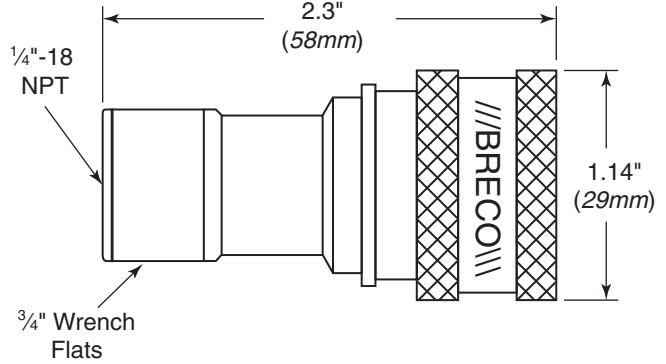
**Custom Colors Available**

Call ZSi-Foster at (866) 918-3003 or order now at [ZSi-Foster.com](http://ZSi-Foster.com)

Canton, MI | La Mirada, CA | Ocala, FL | Springfield, MO



# Long Lasting ISO B Plug and Socket for Water-Based Hydraulic Applications



**Maximum PSI:** 2700 psi (186 bar)  
**Vacuum:** 27" Hg  
**Seal Material:** EPDM  
**Temperature:**  
 -40° to 300°F (-40° to 150°C)

**Features:** Stainless Steel Internals

**Air Flow (CFM) at 100psig:**

- 32 @ 10psig drop
- 22 @ 5psig drop

**Air Flow (CFM) at 80psig:**

- 29 @ 10psig drop
- 20 @ 5psig drop

Part No.	Description	Color	Size	Thread	Material
2DSF2-BI	Socket	Brass	1/4"	FPT	Brass/SS
2DSF2-BI-MLD		Black			
2DSF2-BI-MLDBLUE		Blue			
2DSF2-BI-MLDYELLOW		Yellow			
DS2F2-BI	Plug	Brass	1/4"	FPT	Brass/SS



**Custom Colors Available**

Call ZSi-Foster at (866) 918-3003 or order now at [ZSi-Foster.com](http://ZSi-Foster.com)  
 Canton, MI | La Mirada, CA | Ocala, FL | Springfield, MO