

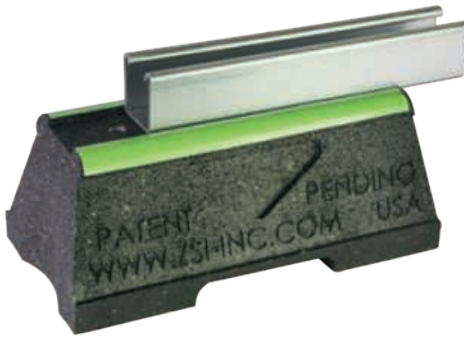


Next Generation Cush-a-Block[®] Rooftop Support System

HVAC | Pipe & Conduit | Solar Racking | Rooftop Walkways

75% Faster Strut Install and Change-Out

Built-in Channel Guide



Straight Strut Installation

Embedded Fasteners



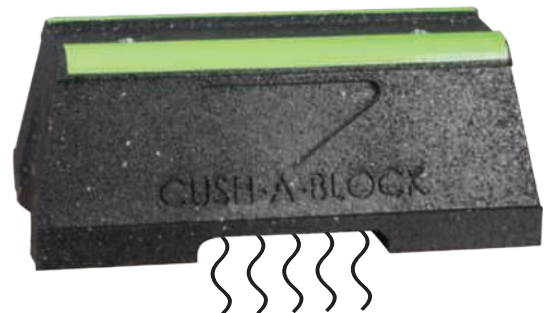
Quick Strut Change-Out

Easy-carry Hand Grip



Simple to Lift and Carry

Water Flow-through



Helps Prevent Mold and Ice Dams

- 100% Recycled Rubber Qualifies for LEED Credits
- Meets the Buy America Act and American Reinvestment Recovery Act
- Resistant to Freeze and Thaw
- Dampens Vibrations
- Compatible with Most Rooftop Materials
- Eco-Green Reflective Safety Strip Won't Peel or Flake

Call ZSi-Foster at (800) 323-7053 or order now at zsi-foster.com

ZSi-Foster

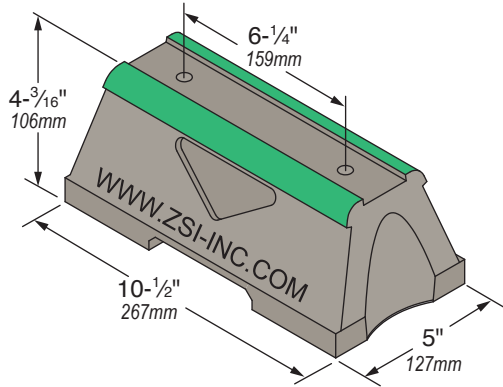
Canton, MI | La Mirada, CA | Ocala, FL | Springfield, MO



Cush-A-Block Rooftop Support System

CBN SERIES

PLAIN BASE



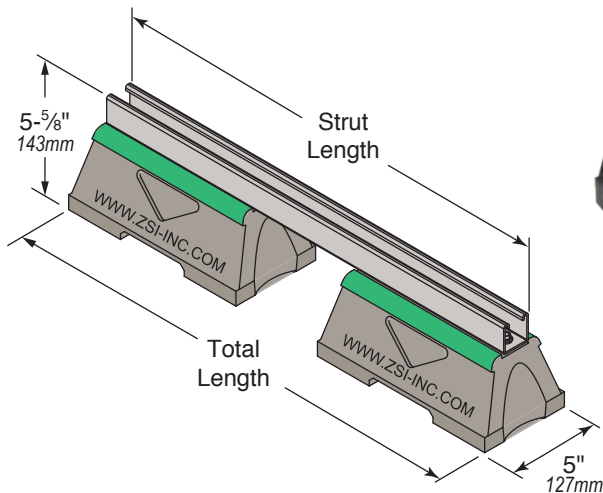
The CBN-Base Rooftop Support is UV resistant and suitable for installation on most types of roofing material or other flat surfaces. Can be used as a curb (sleeper) replacement. Screw fasteners can be used to attach one or two hole pipe straps or a piece of strut (not included).

CBN-Base Series		
Part No.	Weight	Uniform Load Capacity (Lbs) *
CBN	3.2 lbs. (1.4Kg)	2,500 * (11.12 kN)

* This load is only for the capacity of the components in this assembly. Please consult roofing manufacturer or engineer for roof load capacity.

CBN-BR BRIDGE SERIES

SUPPORT WITH CHANNEL



Like all of the Cush-A-Block supports, the CBN-BR Bridge Rooftop Supports are perfect for supporting natural gas and refrigeration piping systems, cable tray, electrical conduit, multiple lines, HVAC equipment and many other applications.

The CBN-BR Series provides a longer mounting surface with strut lengths up to 60" (1.5m). Custom lengths are available upon request.

Standard strut mount pipe clamps are used to secure the pipes.

CBN-BR Bridge Series Supports with 1-5/8" (41mm) Pre-Galv. or Hot Dip Galv. Steel Channel				
Part No.	Strut Length	Total Length	Weight (Lbs)	Uniform Load Capacity (Lbs) *
CBN28BR	28" (711mm)	29.18" (741mm)	10.8 (4.8Kg)	1,491* (6.63 kN)
CBN36BR	36" (914mm)	37.18" (944mm)	12.0 (5.4Kg)	1,160* (5.15 kN)
CBN42BR	42" (1m)	43.18" (1.1m)	12.9 (5.8Kg)	994* (4.42 kN)
CBN50BR	50" (1.2m)	51.18" (1.3m)	14.1 (6.4Kg)	835* (3.71 kN)
CBN60BR	60" (1.5m)	61.18" (1.6m)	15.6 (7.1Kg)	696* (3.09 kN)

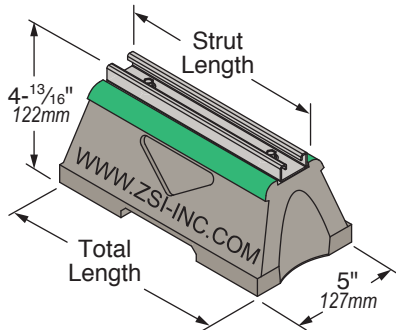
* This load is only for the capacity of the components in this assembly. Please consult roofing manufacturer or engineer for roof load capacity.

Cush-A-Block Rooftop Support System

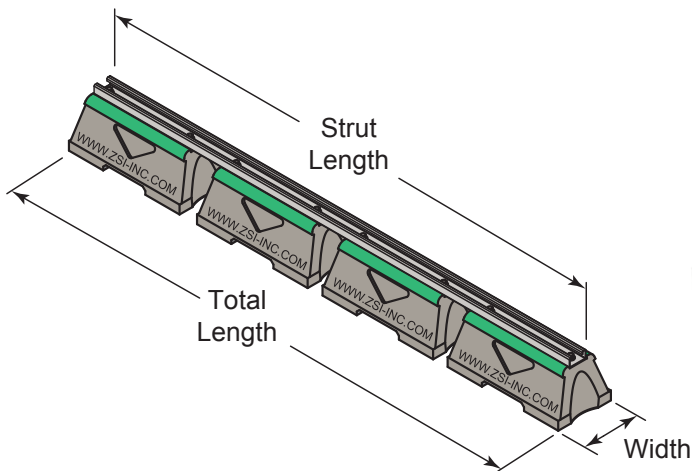


CBN SERIES

SUPPORT WITH METAL CHANNEL



Shown with 1³/₁₆" Strut



CBN2RD shown with two bases

The CBN Series provides a longer mounting surface with strut lengths up to 46.82" (1.2m). Custom lengths are available upon request

Part No.	No. of Bases	Height	Strut Length	Total Length	Weight (Lbs)	Uniform Load Capacity (Lbs) *
CBN-Support With 1³/₁₆" (21mm) Pre-Galv. or Hot Dip Galv. Steel Channel						
CBN1S	1	4- ¹³ / ₁₆ " (122mm)	9.32" (237mm)	10- ¹ / ₂ " (267mm)	4.0 (1.8Kg)	2,500 * (11.12 kN)
CBN2S	2		22.82" (580mm)	24" (610mm)	8.4 (3.8Kg)	5,000 * (22.24 kN)
CBN3S	3		34.82" (884mm)	36" (914mm)	12.6 (5.7Kg)	7,500 * (33.36 kN)
CBN4S	4		46.82" (1.2m)	48" (1.2m)	16.9 (7.6Kg)	10,000 * (44.48 kN)
CBN-Support With 1-⁵/₈" (41mm) Pre-Galv. or Hot Dip Galv. Steel Channel						
CBN1D	1	5- ⁵ / ₈ " (143mm)	9.32" (237mm)	10- ¹ / ₂ " (267mm)	4.7 (2.1Kg)	2,500 * (11.12 kN)
CBN2D	2		22.82" (580mm)	24" (610mm)	9.9 (4.5Kg)	5,000 * (22.24 kN)
CBN3D	3		34.82" (884mm)	36" (914mm)	15.0 (6.8Kg)	7,500 * (33.36 kN)
CBN4D	4		46.82" (1.2m)	48" (1.2m)	20.0 (9.1Kg)	10,000 * (44.48 kN)
CBN Support With 2-⁷/₁₆" (62mm) Pre-Galv. or Hot Dip Galv. Steel Channel						
CBN1RD	1	6- ⁷ / ₁₆ " (164mm)	9.32" (237mm)	10- ¹ / ₂ " (267mm)	5.1 (2.3Kg)	2,500 * (11.12 kN)
CBN2RD	2		22.82" (580mm)	24" (610mm)	10.9 (5.0Kg)	5,000 * (22.24 kN)
CBN3RD	3		34.82" (884mm)	36" (914mm)	16.6 (7.5Kg)	7,500 * (33.36 kN)
CBN4RD	4		46.82" (1.2m)	48" (1.2m)	22.2 (10.1Kg)	10,000 * (44.48 kN)
* This load is only for the capacity of the components in this assembly. Please consult roofing manufacturer or engineer for roof load capacity.						

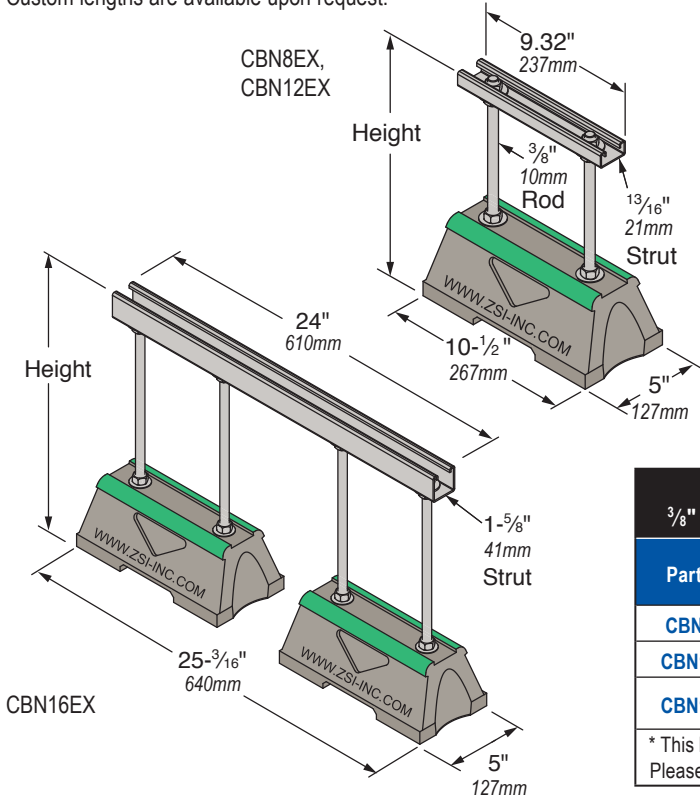
Cush-A-Block Rooftop Support System

CBN-EX SERIES

SUPPORT WITH RAISED CHANNEL

CBN-BR Extension Rooftop Supports are perfect for supporting natural gas and refrigeration piping systems, cable tray, electrical conduit, multiple lines, HVAC equipment and many other applications.

Standard strut mount pipe clamps are used to secure the pipes. Custom lengths are available upon request.



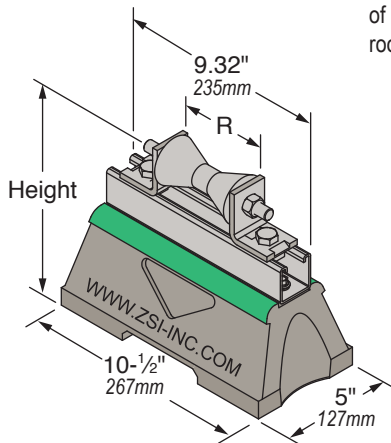
CBN-EX Extension Series Support with $\frac{3}{8}$ " Threaded Rod Extension and Pre-Galv. or Hot Dip Galv. Steel Channel				
Part No.	Height	Strut Size	Weight (Lbs)	Uniform Load Capacity (Lbs) *
CBN8EX	8" (203mm)	$\frac{13}{16}$ " (21mm)	5.3 (2.4Kg)	1,000 * (4.44 kN)
CBN12EX	12" (305mm)	(21mm)	5.7 (2.6Kg)	1,000 * (4.44 kN)
CBN16EX	16" (406mm)	$1\frac{5}{8}$ " (41mm)	12.7 (5.7Kg)	2,000 * (8.89 kN)

* This load is only for the capacity of the components in this assembly. Please consult roofing manufacturer or engineer for roof load capacity.

CBN-PRB SERIES

SUPPORT WITH PIPE ROLLER

The CBN-PRB Rooftop Supports are designed for superior support of natural gas and refrigeration pipes. The roller allows for longitudinal movements of the pipe. This support is suitable for most types of roofing material or other flat surfaces.



CBN-PRB Roller-Series With $1\frac{5}{8}$ " (41mm) Pre-Galv or Hot Dip Galv. Steel Channel with Rollers						
Part No.	R Pipe Size (O.D.)	Height	Overall Height to Roller Center	Base Length	Weight (Lbs)	Uniform Load Capacity (Lbs) *
CBN1PRB	1" to 2"	8" (203mm)	7" (178mm)	10- $\frac{1}{2}$ " (1-Base)	7.5 (3.4Kg)	2,500 * (11.12 kN)
CBN2PRB	2" to 3- $\frac{1}{2}$ "				7.3 (3.3Kg)	2,500 * (11.12 kN)
CBN3PRB	4" to 6"	8- $\frac{1}{8}$ " (206mm)	8- $\frac{1}{4}$ " (210mm)	24" (2-Bases)	7.8 (3.5Kg)	2,500 * (11.12 kN)
CBN4PRB	8" to 10"	10- $\frac{5}{16}$ " (262mm)			18.1 (8.2Kg)	2,500 * (11.12 kN)

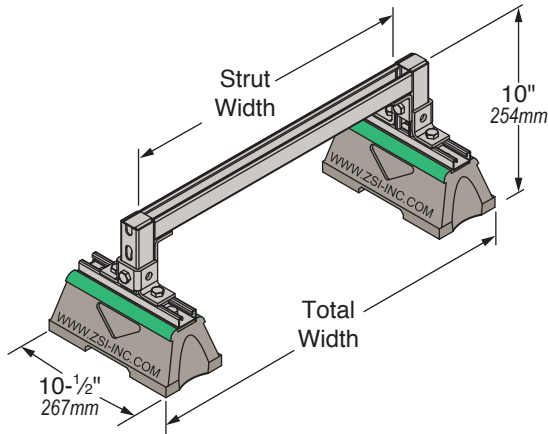
* This load is only for the capacity of the components in this assembly. Please consult roofing manufacturer or engineer for roof load capacity.

Cush-A-Block Rooftop Support System



CBN-RB SERIES

SUPPORT WITH RAISED BRIDGE
MEDIUM SUPPORT



The CBN-RB Medium Rooftop Supports can support natural gas and refrigeration piping systems, cable tray, electrical conduit, multiple lines, HVAC equipment and many other applications. They are designed for rooftop applications requiring a heavier load bearing capacity, and are suitable for most types of roofing material or other flat surfaces. Custom lengths are available upon request.

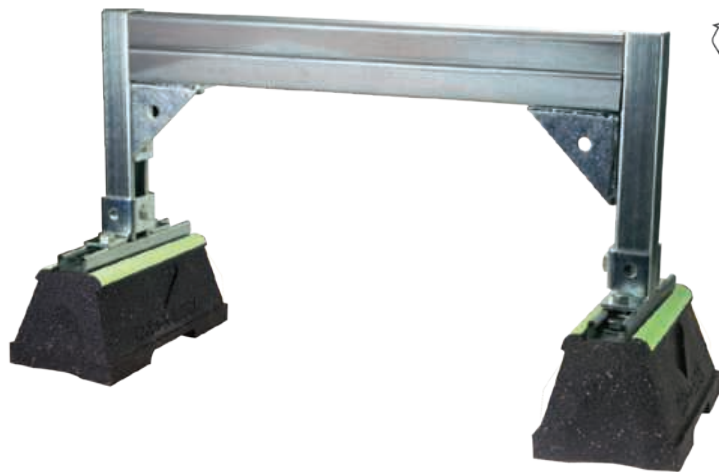
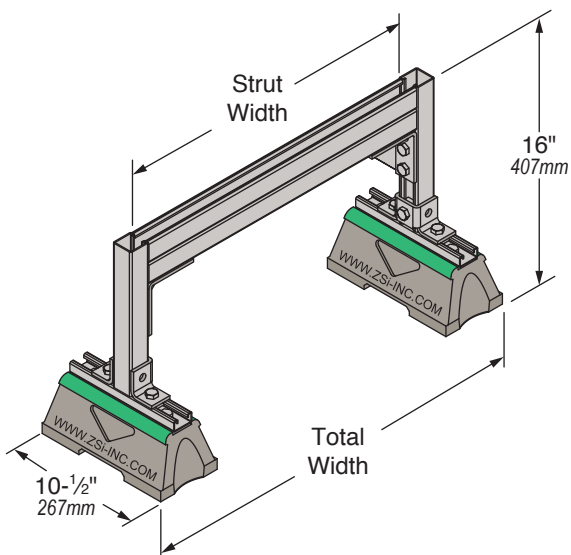
Standard strut mount pipe clamps are used to secure the pipes.

Raised Bridge Medium Support with 2 CBN Bases & 1-5/8" (41mm) Pre-Galv or Hot Dip Galv. Steel Channel					
Part No.	Total Width	Strut Width	Base Length	Weight (Lbs)	Uniform Load Capacity (Lbs) *
CBN1RB	18.65" (474mm)	12" (305mm)	10-1/2" (267mm)	16.2 (7.3Kg)	3,000 * (13.34 kN)
CBN2RB	30.65" (779mm)	24" (610mm)		17.9 (8.1Kg)	1,500 * (6.67 kN)

* This load is only for the capacity of the components in this assembly. Please consult roofing manufacturer or engineer for roof load capacity.

CBN-RB SERIES

SUPPORT WITH RAISED CHANNEL
HEAVY SUPPORT



The CBN-RB Heavy Rooftop Supports is designed for rooftop applications requiring a heavier load bearing capacity. It is suitable for most types of roofing material or other flat surfaces. Custom lengths are available upon request.

Standard strut mount pipe clamps are used to secure the pipes.

Raised Bridge Heavy Support with 2 CBN Bases & 3-1/4" (83mm) Back-to-Back Pre-Galv or Hot Dip Galv. Steel Channel				
Part No.	Total Width	Strut Width	Weight (Lbs)	Uniform Load Capacity (Lbs) *
CBN3RB	30.65" (779mm)	24" (610mm)	27.4 (12.4Kg)	3,500 * (15.56 kN)
CBN4RB	42.65" (1.1m)	36" (914mm)	29.8 (13.5Kg)	3,250 * (14.45 kN)

* This load is only for the capacity of the components in this assembly. Please consult roofing manufacturer or engineer for roof load capacity.

Cush-A-Block Rooftop Support System

CBN-DS SERIES

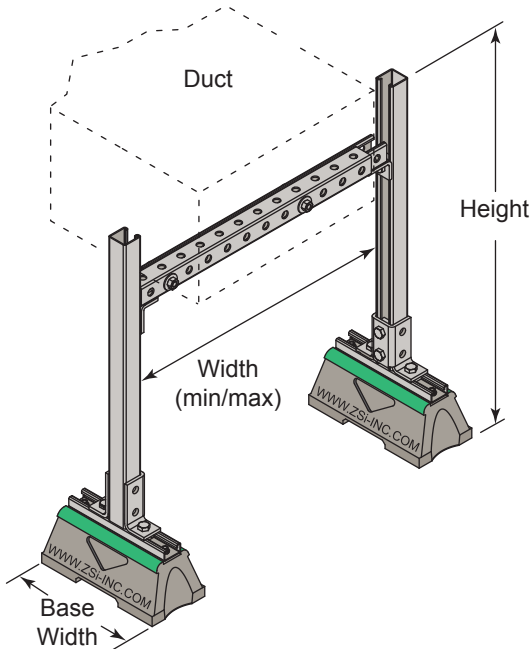


ADJUSTABLE WIDTH DUCT SUPPORT

The CBN-DS Series is designed specifically for supporting duct work. The telescopic cross beam provides easy width and height adjustments.

A wide range of support widths are provided from 19-¹/₄" to 103-⁵/₈" (489mm to 2.6m)

Standard strut mount pipe clamps are used to secure the pipes.



**CBN-DS Duct Support Series With Adjustable Width and Height
with 1-⁵/₈" (41mm) Pre-Galv or Hot Dip Galv. Steel Channel**

Part No.	Width		Height	Weight (Lbs)	Uniform Load at Min. Width(Lbs) *
	Min.	Max.			
CBN1DS	19- ¹ / ₄ " (489mm)	26- ³ / ₄ " (679mm)	28.813" (732mm)	26.4 (12Kg)	1,909 * (8.49 kN)
CBN2DS	24- ⁷ / ₈ " (632mm)	39- ⁷ / ₈ " (1m)		28.0 (12.7Kg)	1,477 * (6.57 kN)
CBN3DS	38" (987mm)	62- ³ / ₈ " (1.6m)		31.7 (14.3Kg)	967 * (4.30 kN)
CBN4DS	62- ³ / ₈ " (1.6m)	103- ⁵ / ₈ " (2.6m)		38.5 (17.4Kg)	589 * (2.62 kN)
CBN5DS	19- ¹ / ₄ " (489mm)	26- ³ / ₄ " (679mm)	36" (914mm)	26.4 (12Kg)	1,909 * (8.49 kN)
CBN6DS	24- ⁷ / ₈ " (632mm)	39- ⁷ / ₈ " (1m)		28.0 (12.7Kg)	1,477 * (6.57 kN)
CBN7DS	38" (987mm)	62- ³ / ₈ " (1.6m)		31.7 (14.3Kg)	967 * (4.30 kN)
CBN8DS	62- ³ / ₈ " (1.6m)	103- ⁵ / ₈ " (2.6m)		38.5 (17.4Kg)	589 * (2.62 kN)

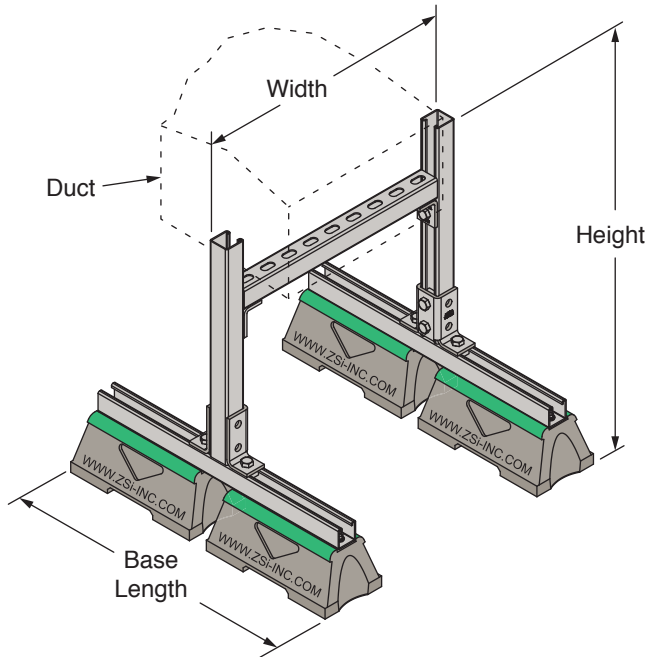
* This load is only for the capacity of the components in this assembly. Please consult roofing manufacturer or engineer for roof load capacity.

Cush-A-Block Rooftop Support System



CBN-DSFW SERIES

FIXED WIDTH DUCT SUPPORT



The CBN-DSFW Series is designed specifically for supporting duct work. The cross beam provides easy size adjustments. Custom lengths are available upon request.

Standard strut mount pipe clamps are used to secure the pipes.

**CBN-DSFW Duct Support Series With Fixed Width & Adjustable Height
with 1-5/8" (41mm) Pre-Galv or Hot Dip Galv. Steel Channel**

Model No.	Height	Width	Base Length	No. of Bases	Weight (Lbs)	Uniform Load Capacity (Lbs) *
CBN1-DSFW	23" (584mm)	18" (457mm)	24" (610mm)	4	33.4 (15.1Kg)	2042 * (9.08 kN)
CBN2-DSFW		24" (610mm)			34.3 (15.6Kg)	1531 * (6.81 kN)
CBN3-DSFW		36" (914mm)			35.9 (16.3Kg)	1021 * (4.54 kN)
CBN4-DSFW		48" (1.2m)			37.6 (17.1Kg)	766 * (3.40 kN)
CBN5-DSFW	29" (737mm)	18" (457mm)	24" (610mm)	4	35.2 (16Kg)	2042 * (9.08 kN)
CBN6-DSFW		24" (610mm)			36.0 (16.3Kg)	1531 * (6.81 kN)
CBN7-DSFW		36" (914mm)			37.7 (17.1Kg)	1021 * (4.54 kN)
CBN8-DSFW		48" (1.2m)			39.3 (17.8Kg)	766 * (3.40 kN)
CBN9-DSFW	41" (1m)	18" (457mm)	24" (610mm)	4	38.7 (17.6Kg)	2042 * (9.08 kN)
CBN10-DSFW		24" (610mm)			39.5 (17.9Kg)	1531 * (6.81 kN)
CBN11-DSFW		36" (914mm)			41.2 (18.7Kg)	1021 * (4.54 kN)
CBN12-DSFW		48" (1.2m)			42.8 (19.4Kg)	766 * (3.40 kN)
CBN13-DSFW	53" (1.3m)	18" (457mm)	36" (914mm)	6	55.8 (25.3Kg)	2042 * (9.08 kN)
CBN14-DSFW		24" (610mm)			56.7 (25.7Kg)	1531 * (6.81 kN)
CBN15-DSFW		36" (914mm)			58.3 (26.4Kg)	1021 * (4.54 kN)
CBN16-DSFW		48" (1.2m)			60.0 (27.2Kg)	766 * (3.40 kN)

* This load is only for the capacity of the components in this assembly.
Please consult roofing manufacturer or engineer for roof load capacity.

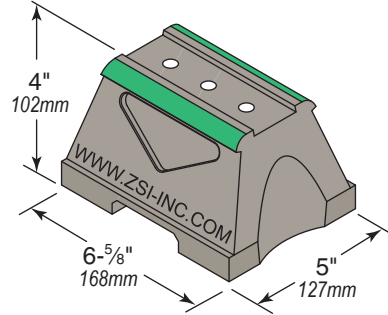


Cush-A-Block®

Mini Rooftop Supports

CBM

Cush-A-Block Mini

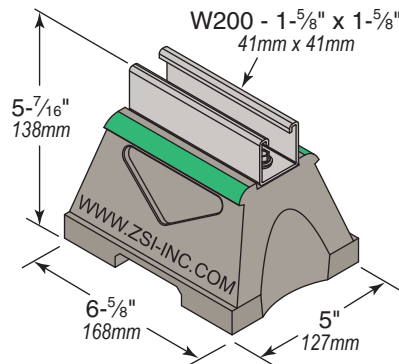
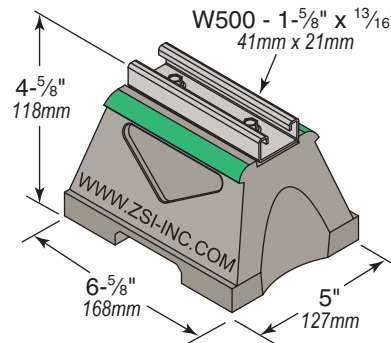


CBM-Base Series		
Part No.	Weight	Uniform Load Capacity (Lbs) *
CBM	1.0 lbs. (0.45 Kg)	400 (1.78 kN)

* This load is only for the capacity of the components in this assembly. Please consult roofing manufacturer or engineer for roof load capacity.

CBM Series

Support With Metal Channel



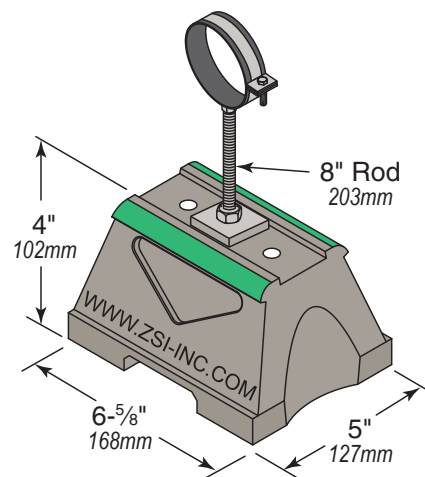
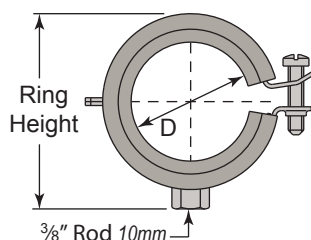
Part No.	Weight (Lbs)	Uniform Load Capacity (Lbs) *
CBM-Support With 13/16" (21mm) Pre-Galv or Hot Dip Galv. Steel Channel		
CBM1S	2.11 (0.96Kg)	400 (1.78 kN)
CBM-Support With 1-5/8" (41mm) Pre-Galv or Hot Dip Galv. Steel Channel		
CBM1D	2.14 (0.97Kg)	400 (1.78 kN)

* This load is only for the capacity of the components in this assembly. Please consult roofing manufacturer or engineer for roof load capacity.

Mini Rooftop Supports

CBMPH Series

Support With Raised SPH Cush-A-Ring Clamp for Copper Tube or Steel Tube or Pipe



CBMPH Series Cush-A-Block Mini with Raised SPH Cush-A-Ring Clamp for Copper or Steel Tube or Pipe						
Part No.	D	IP	CT	Ring Height	Weight (Lbs)	Load Capacity (Lbs) *
CBMPH1	0.433" - 0.551" (11 - 14mm)	1/4"	3/8"	1.4" (36mm)	2.31 (1.05Kg)	125 (0.56 kN)
CBMPH2	0.591" - 0.709" (15 - 18mm)	3/8"	1/2"	1.4" (36mm)	2.31 (1.05Kg)	
CBMPH3	0.787" - 0.906" (20 - 23mm)	1/2"	3/4"	1.6" (41mm)	2.33 (1.06Kg)	
CBMPH4	0.984" - 1.102" (25 - 28mm)	3/4"	1"	1.8" (46mm)	2.35 (1.07Kg)	
CBMPH5	1.22" - 1.378" (31 - 35mm)	1"	1 1/4"	2.0" (51mm)	2.37 (1.08Kg)	
CBMPH6	1.575" - 1.693" (40 - 43mm)	1 1/4"	1 1/2"	2.4" (61mm)	2.41 (1.09Kg)	
CBMPH7	1.89" - 2.087" (48 - 53mm)	1 1/2"	-	2.6" (66mm)	2.41 (1.09Kg)	
CBMPH8	2.126" - 2.205" (54 - 56mm)	-	2"	2.8" (71mm)	2.41 (1.09Kg)	
CBMPH9	2.244" - 2.48" (57 - 63mm)	2"	-	3.1" (79mm)	2.50 (1.13Kg)	
CBMPH10	2.52" - 2.756" (64 - 70mm)	-	2 1/2"	3.9" (99mm)	2.54 (1.15Kg)	
Below parts have 2 bolt configuration SPH Clamps						
CBMPH11	2.874" - 3.15" (73 - 80mm)	2 1/2"	3"	4.3" (109 mm)	2.58 (1.17Kg)	125 (0.56 kN)
CBMPH12	3.268" - 3.583" (83 - 91mm)	3"	-	4.8" (122 mm)	2.94 (1.33Kg)	
CBMPH13	3.937" - 4.134" (100 - 105 mm)	-	4"	5.3" (135 mm)	3.19 (1.45Kg)	
CBMPH14	4.252" - 4.488" (108 - 114mm)	4"	-	5.7" (145 mm)	3.19 (1.45Kg)	

* This load is only for the capacity of the components in this assembly. Please consult roofing manufacturer or engineer for roof load capacity.

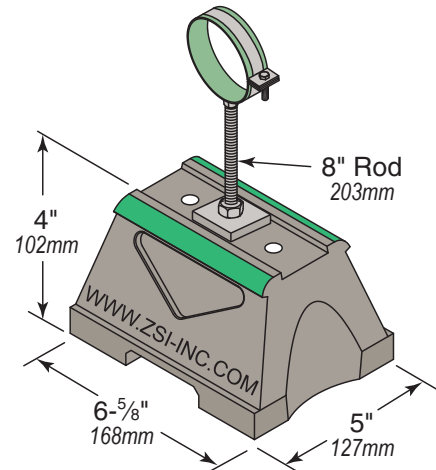
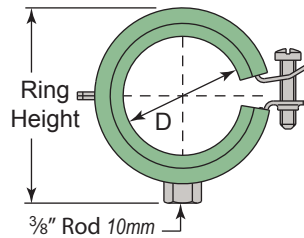
See Engineering Catalog for more information on the SPH Cush-A-Ring Clamps

Cush-A-Block[®]

Mini Rooftop Supports

CBMPP Series

Support With Raised SPP Cush-A-Ring Clamp for PEX, CPVC, or PVC Pipe



CBMPP Series Cush-A-Block Mini with Raised SPP Cush-A-Ring Clamp for PEX, CPVC or PVC Pipe

Part No.	D (mm)	PVC / CPVC	PEX	Ring Height	Weight (Lbs)	Load Capacity (Lbs) *
CBMPP2	0.591" - 0.709" (15 - 18mm)	3/8"	1/2"	1.4" (36mm)	2.31 (1.05Kg)	125 (0.56 kN)
CBMPP3	0.787" - 0.906" (20 - 23mm)	1/2"	3/4"	1.7" (43mm)	2.33 (1.06Kg)	
CBMPP4	0.984" - 1.102" (25 - 28mm)	3/4"	1"	1.9" (48mm)	2.33 (1.06Kg)	
CBMPP5	1.22" - 1.378" (31 - 35mm)	1"	1 1/4"	2.2" (56mm)	2.36 (1.07Kg)	
CBMPP6	1.575" - 1.693" (40 - 43mm)	1 1/4"	1 1/2"	2.6" (66mm)	2.40 (1.09Kg)	
CBMPP7	1.89" - 2.087" (48 - 53mm)	1 1/2"	-	3.0" (76mm)	2.41 (1.09Kg)	
CBMPP8	2.126" - 2.205" (54 - 56mm)	-	2"	3.0" (76mm)	2.50 (1.13Kg)	
CBMPP9	2.362" - 2.559" (60 - 65mm)	2"	-	3.4" (86mm)	2.50 (1.13Kg)	
CBMPP10	2.756" - 2.992" (70 - 76mm)	2 1/2"	-	4.1" (104mm)	2.54 (1.15Kg)	
Below parts have 2 bolt configuration SPP Clamps						
CBMPP11	3.386" - 3.583" (86 - 91mm)	3"	-	4.6" (117mm)	2.94 (1.33Kg)	125 (0.56 kN)
CBMPP12	4.331" - 4.488" (110 - 114mm)	4"	-	5.8" (147mm)	3.19 (1.45Kg)	

* This load is only for the capacity of the components in this assembly. Please consult roofing manufacturer or engineer for roof load capacity.

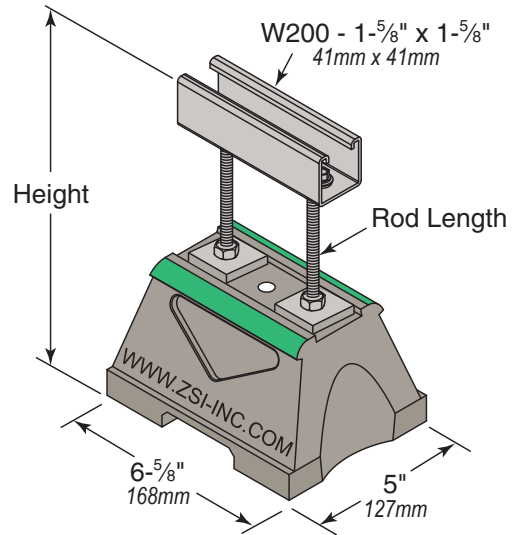
See Engineering Catalog for more information on the SPP Cush-A-Ring Clamps

Mini Rooftop Supports



CBM REX Series

Support With Raised 1-5/8" Metal Channel



CBM-Support Extension with 3/8" Threaded Rod Extension & 1-5/8" (41mm) Pre-Galv or Hot Dip Galv. Steel Channel				
Part No.	Height	Rod Length	Weight (Lbs)	Uniform Load Capacity (Lbs) *
CBM10REX	10" (254mm)	6" (152mm)	2.11 (0.96Kg)	175 (0.78 kN)
CBM12REX	12" (305mm)	8" (203mm)	2.14 (0.97Kg)	175 (0.78 kN)

* This load is only for the capacity of the components in this assembly. Please consult roofing manufacturer or engineer for roof load capacity.

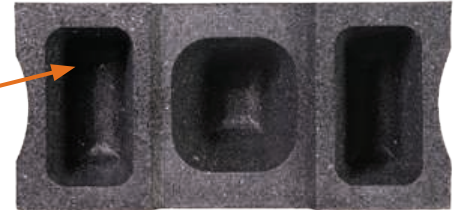


Next Generation Cush-a-Block® Rooftop Support System

HVAC | Pipe & Conduit | Solar Racking | Rooftop Walkways

The channel for Cush-A-Block support assemblies includes a variety of options. The strut can be made in special lengths, finishes, and alloys including Aluminum, Stainless Steel both 304 & 316, PVC coated, Powder coated, Zinc Trivalent Chromium, Pre-Galvanized and Hot Dipped Galvanized.

Embedded nut eliminates any thru holes and prevents leaks or any rust from forming on the underside of the fastener.



Your Single Source for All Products Shown.



Call ZSi-Foster at (800) 323-7053 or order now at zsi-foster.com

ZSi-Foster.com Canton, MI | La Mirada, CA | Ocala, FL | Springfield, MO