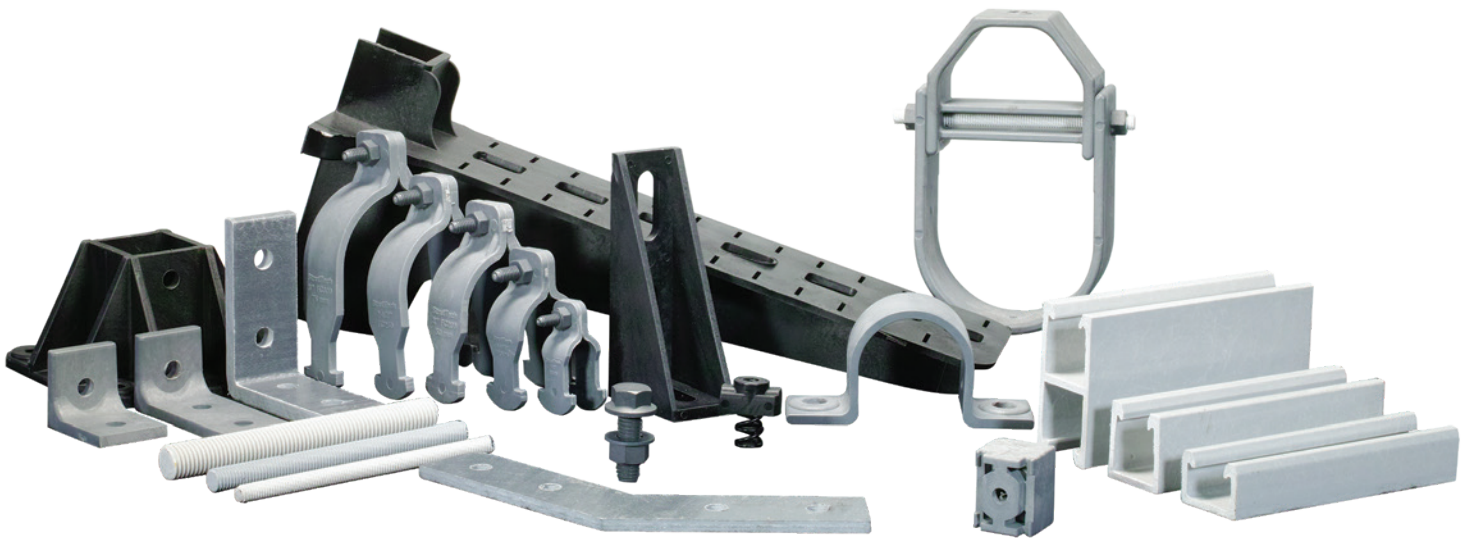




FIBERGLASS FRAMING SYSTEM

DURABILITY FOR CORROSION RESISTANCE IN CHALLENGING ENVIRONMENTS



Industries

Channel framing can be used in various industries:

- Aquaculture
- Aquariums
- Bio Tech Industry
- Bridge Utility Structures
- Chemical Plants
- Commercial Refrigeration
- Data Centers
- Electrical Applications
- Electronics Industry
- Food Processing
- Greenhouses
- Marinas
- Metal Processing
- Metal Plating Facilities
- MRI Rooms
- Oil Refineries
- Server Farm Industry
- Sewage Treatment Plants
- Shipbuilding
- Underground Vaults
- Water Rides
- Water Treatment
- Water Desalination

Channel Materials

Fiberglass channels are produced in two resins,

Polyester:

- General Purpose, Color Gray
- Good Corrosion Resistance for most applications
- Temperature Range - 30°F to +150°F (-34°C to 66°C)

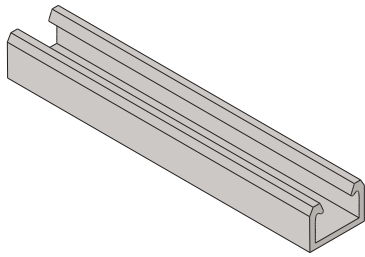
Vinyl Ester:

- Premium Grade, Color Beige
- Excellent Corrosion Resistance
- Temperature Range - 35°F to +200°F (-37°C to 93°C)

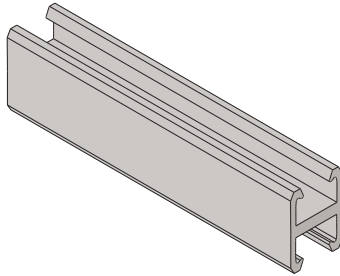
Fitting Materials

- Polyurethane
- Delrin
- 316 Stainless Steel
- Polyester
- Injection Molded Thermoplastics

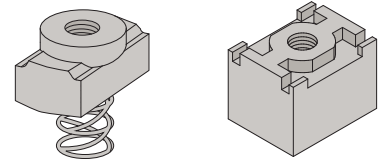
W800PF 1-5/8" x 1-1/8" Channel
Solid or Small Slots
& Concrete Inserts



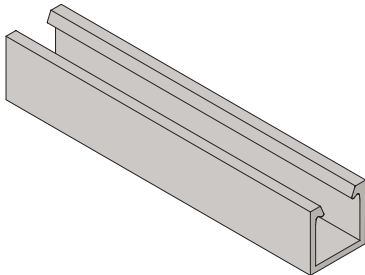
W801PF 1-5/8" x 2-1/4" Channel
Solid or Small Slots



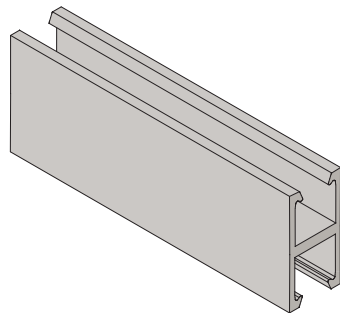
Channel Nuts



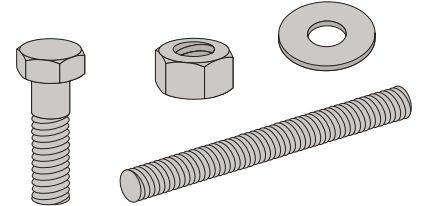
W200PF 1-5/8" x 1-5/8" Channel
Solid or Small Slots
& Concrete Inserts



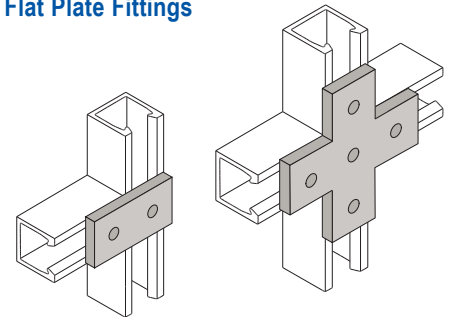
W201PF 1-5/8" x 3-1/4" Channel
Solid or Small Slots



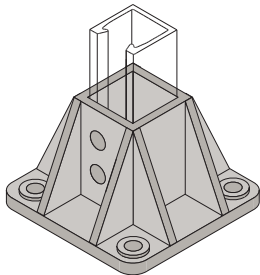
Hardware



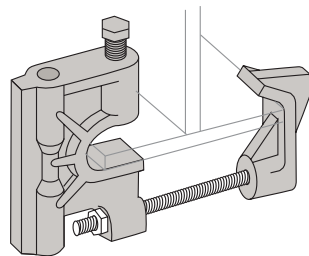
Flat Plate Fittings



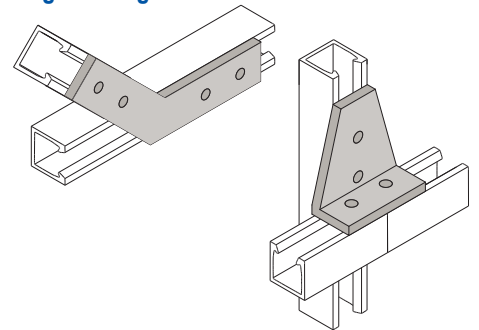
Post Bases



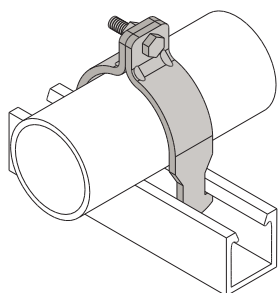
Beam Clamps



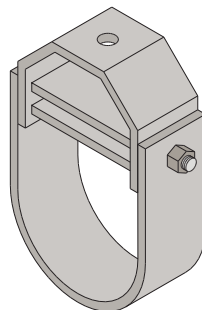
Angle Fittings



Pipe Clamps & Straps



Clevis Hangers



Rack Arms

