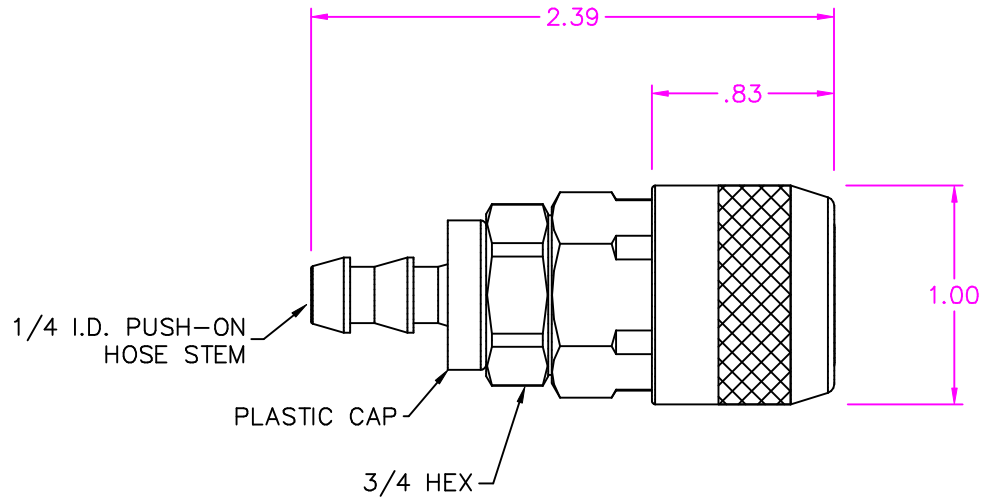


ALL DIAMETERS TO BE CONCENTRIC WITHIN .006 TIR U.O.S.

| REV | CHANGE | DATE | OK'D |
|-----|--------|------|------|
|     |        |      |      |
|     |        |      |      |



|  |            |
|--|------------|
| TOLERANCES U.O.S.<br>DECIMALS .XXX ±.005<br>ANGLES ±1/2° | FINISH     |
| MATERIAL   | HEAT TREAT |

FOSTER MANUFACTURING COMPANY, INC.  
2324 W. BATTLEFIELD ROAD      SPRINGFIELD, MISSOURI

|                          |                |
|--------------------------|----------------|
| TITLE                    | DATE           |
| 210-1513 PROFILE DRAWING | 10-28-02       |
|                          | DRAWING NUMBER |

|  |                    |
|--|--------------------|
| SURFACE FINISHES 90 Ra MAX U.O.S.  | THEORETICAL WEIGHT |
| THE INFORMATION DISCLOSED IN THIS DOCUMENT IS PROPRIETARY TO FOSTER MFG. CO. AND MAY NOT BE USED FOR MANUFACTURE OR ANY OTHER PURPOSE WITHOUT THE WRITTEN CONSENT OF FOSTER MFG. CO. |                    |

**OFFICE COPY**