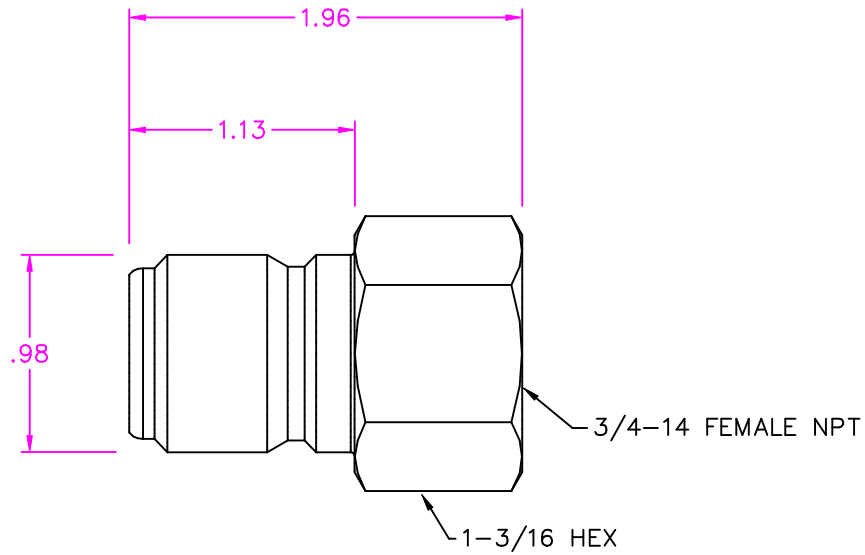


| | | | | | |
|---|--|-----|--------|------|------|
| ALL DIAMETERS TO BE CONCENTRIC WITHIN .006 TIR U.O.S. | | REV | CHANGE | DATE | OK'D |
| | | | | | |
| | | | | | |



| | |
|---|----------------|
| TOLERANCES U.O.S. DECIMALS ANGLES .XXX ±.005 ±1/2° | FINISH |
| MATERIAL | HEAT TREAT |
| FOSTER MANUFACTURING COMPANY, INC. 2324 W. BATTLEFIELD ROAD SPRINGFIELD, MISSOURI | |
| TITLE | DATE |
| 75FP PROFILE DRAWING | 11-6-02 |
| | DRAWING NUMBER |

| | |
|--|--------------------|
| SURFACE FINISHES 90 Ra MAX U.O.S. | THEORETICAL WEIGHT |
| THE INFORMATION DISCLOSED IN THIS DOCUMENT IS PROPRIETARY TO FOSTER MFG. CO. AND MAY NOT BE USED FOR MANUFACTURE OR ANY OTHER PURPOSE WITHOUT THE WRITTEN CONSENT OF FOSTER MFG. CO. | |

OFFICE COPY